

# MINI BENCHES AND LIFTS

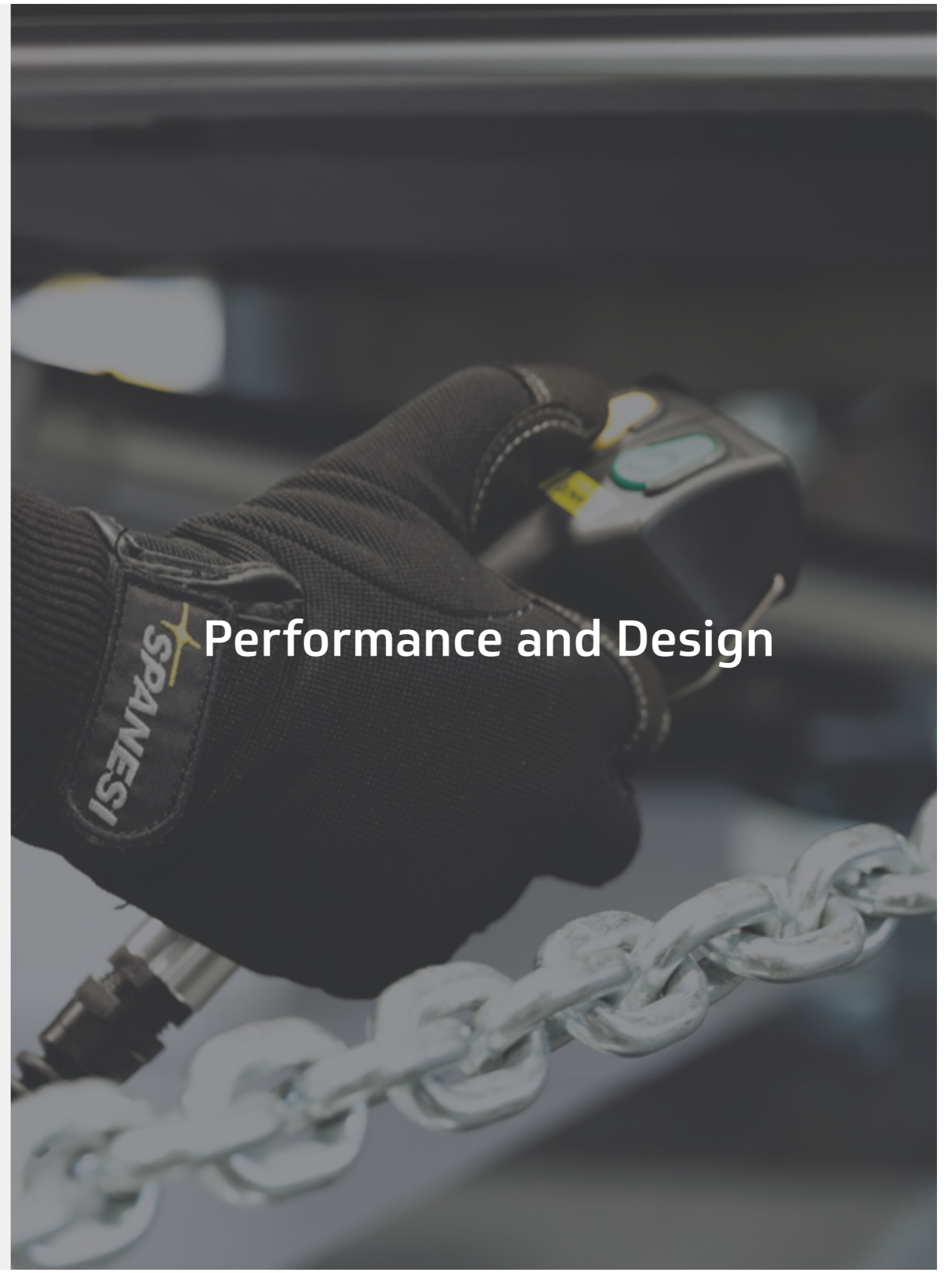


 **SPANESI**®

# INDEX

Minibench	6
Ponybench BT Plus	18
Lifts	26

## Performance and Design



# MINIBENCH

Smart. Fast.  
Powerful.



# MINIBENCH

## Small and medium damage

The Minibench is designed to repair small and medium damage with maximum speed and ease.

Sturdy and compact, it occupies very little space inside the bodyshop.

## Lifting and repairing any vehicle

The Minibench can be used for most vehicles, including commercial vehicles, SUVs and 4x4s.

It can be used as a lift or straightening bench, with a 6 ton pull column capable of delivering 360° pulls around the entire vehicle. Incorporating the Touch electronic system for precise structural measurements adds additional speed and accuracy to each repair performed back to the vehicle's OEM specifications.

Given its versatility, it is a bench that is used daily.



## Lift

---



## Repair

---



## Repair with Touch

---





## FOCUS POINTS

**01** ———  
**FAST, EASY AND UNIVERSAL**  
 Perfect for small and medium damage

**02** ———  
**COMPACT AND RUGGED**  
 Requires very little spaces

**03** ———  
**NO HARD EDGES**  
 Rounded corners  
 Eliminates vehicle damage during loading

**04** ———  
**FAST LOADING OF THE VEHICLE**  
 Low profile floor plates  
 Always attached to the bench

**05** ———  
**MULTIPLE USES**  
 Lift  
 Repair  
 Repair with Touch



## FOCUS POINTS

**06** ———  
**CLAMP ATTACHMENT WITHOUT USING TROLLEYS**  
 Universal clamps  
 OEM Specific clamps

**07** ———  
**PULLING COLUMN**  
 Safe and automatic bench connections  
 360° Pulling  
 Multiple pulling directions  
 Powerful 6 ton capacity

**08** ———  
**TOUCH ACCURACY**  
 For even faster and more precise repairs  
 Real time measuring during pulling process

### MINIBENCH

Front pulling column insertion location

LOAD CAPACITY	2200/2500 kg
LENGTH	1912 mm
LIFTING HEIGHT	1350 mm
MINIMUM HEIGHT	100 mm
PULLING FORCE	6 Ton

### MINIBENCH DT

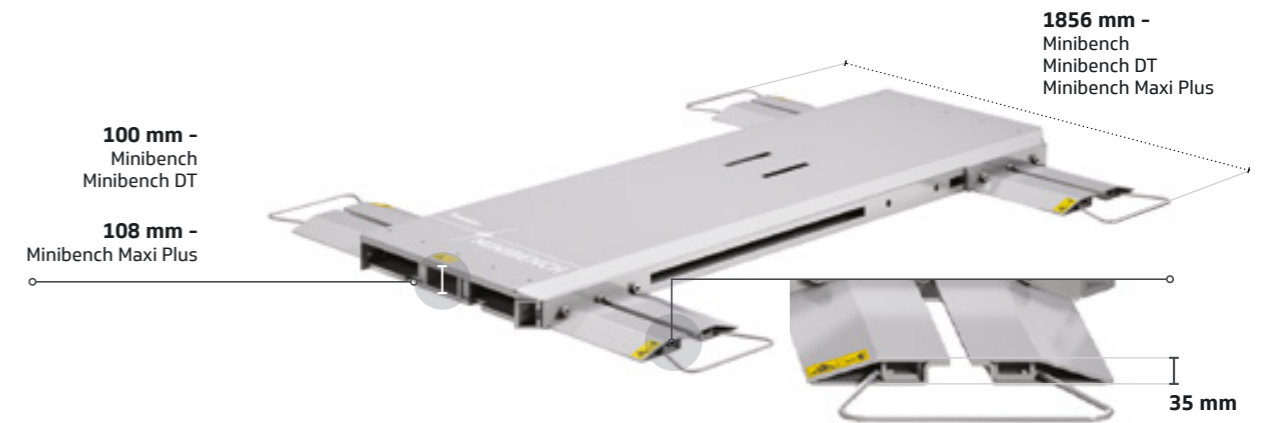
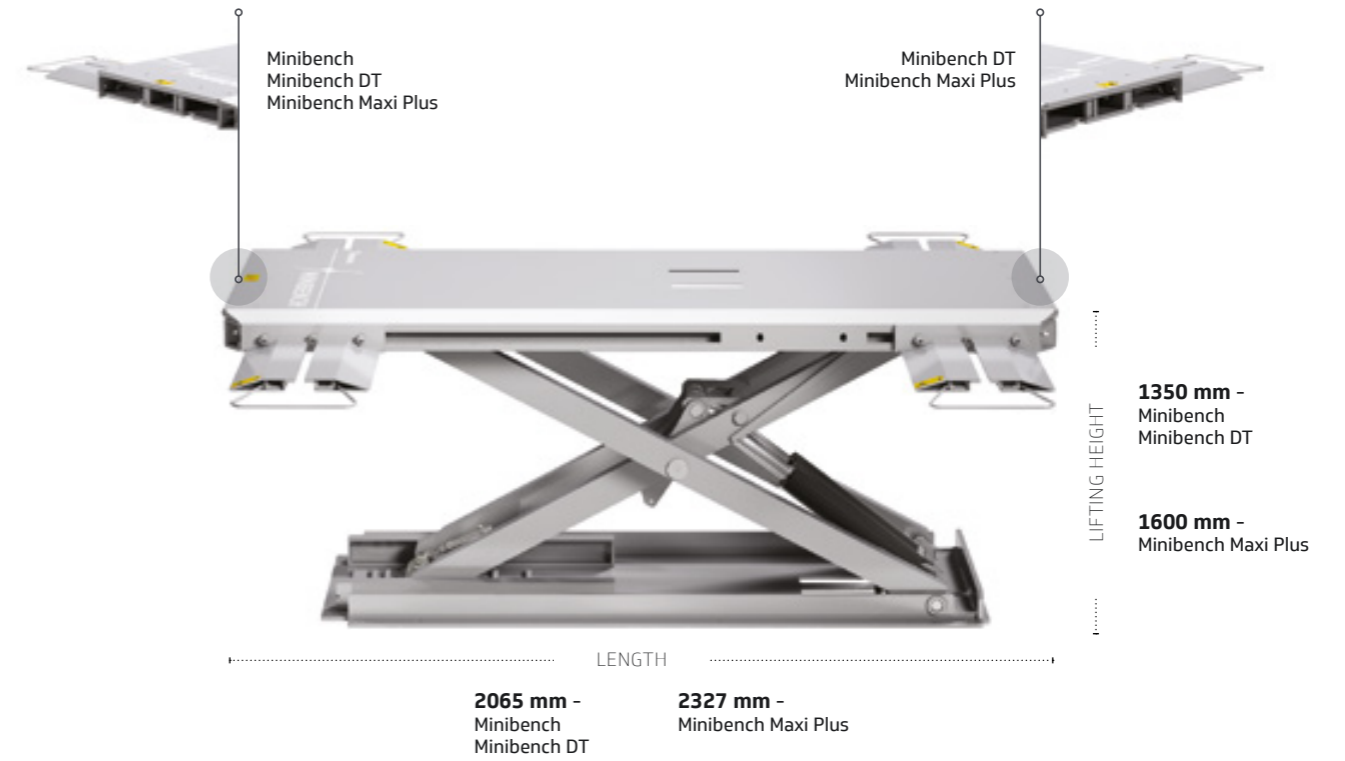
Front and back pulling column insertion locations

LOAD CAPACITY	2200/2500 kg
LENGTH	2065 mm
LIFTING HEIGHT	1350 mm
MINIMUM HEIGHT	100 mm
PULLING FORCE	6 Ton

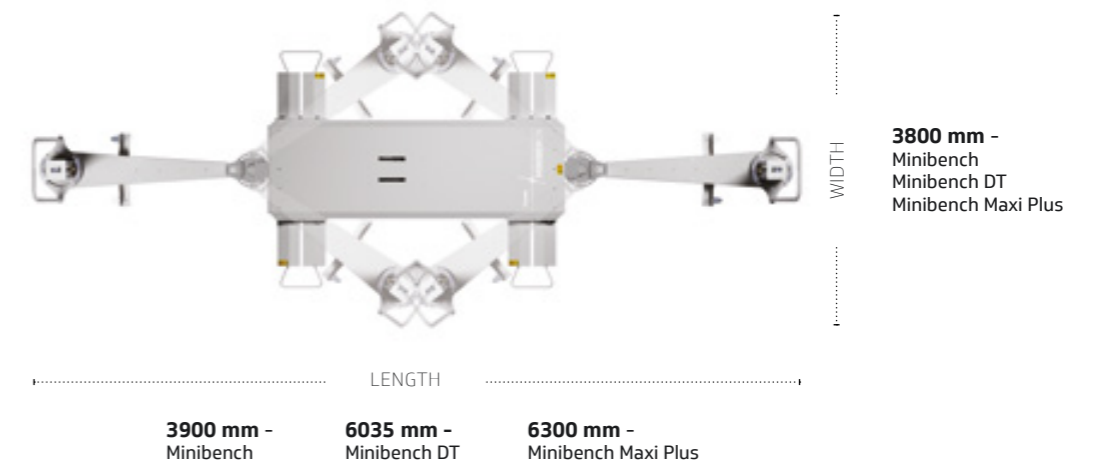
### MINIBENCH MAXI PLUS

Front and back pulling column insertion locations

LOAD CAPACITY	3500 kg
LENGTH	2327 mm
LIFTING HEIGHT	1600 mm
MINIMUM HEIGHT	108 mm
PULLING FORCE	6 Ton



### PULLING COLUMN FOOTPRINT







**STANDARD  
INCLUDED  
ITEMS**

**Minibench  
Minibench DT  
Minibench Maxi Plus**

**Pantograph electro-hydraulic lift**



**Pulling column**



**Control box**



Electro-hydraulic unit located away from the bench for easy access.

Rugged and tough, for 360° pulling.

**4 Sliding side floor plates**



Moveable sliding plates to adjust for different length vehicles.

**4 Support buffers**



For lifting.

**4 Universal clamps**



For repairing.

# PONYBENCH BT PLUS

## **Below floor level**

The Ponybench BT Plus is the hidden mini bench that allows you to make the most of the space inside of the bodyshop.

When it's not in use, the Ponybench BT Plus disappears into the floor entirely, allowing the area to be used for vehicles in other phases of the repair process.

## **Lifting and repairing small and medium damage**

Fast and efficient multi-purpose bench with a capacity of 3000kg, making it suitable for most types of vehicles.

Designed to be used as lift or a bench in order to quickly repair small and medium damage. Incorporate the Touch electronic system to allow increased repair efficiencies and improved accuracy to OEM specifications.



## Lift

---



## Repair

---



## Repair with Touch

---



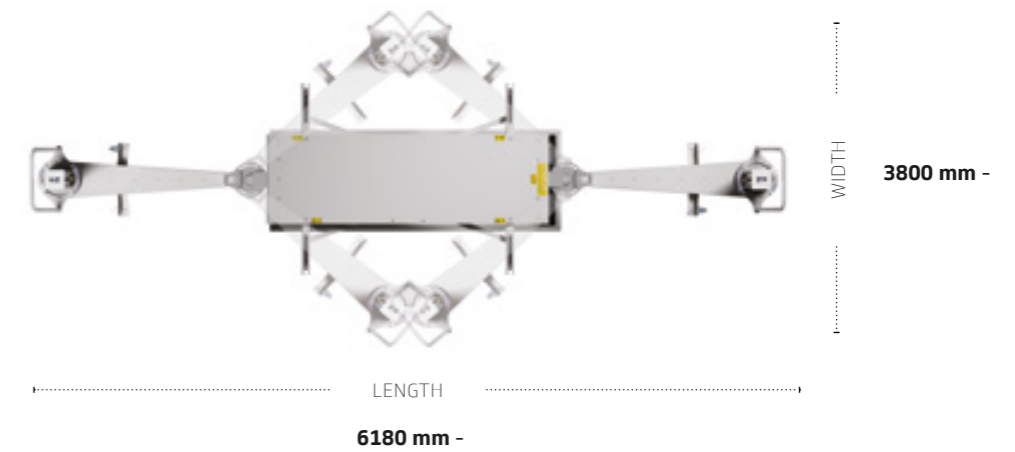
### PONYBENCH BT PLUS

Front and back pulling column insertion locations

LOAD CAPACITY	3500 kg
LENGTH	2210 mm
LIFTING HEIGHT	1450 mm
PULLING FORCE	6 Ton



### PULLING COLUMN FOOTPRINT





**STANDARD  
INCLUDED  
ITEMS**

**Ponybench BT Plus**

Pantograph electro-hydraulic lift



Pulling column



Control box



Electro-hydraulic unit located away from the bench for easy access.

Rugged and tough, for 360° pulling.

Automatic bench arms



Automatic opening and closing.

4 Support buffers



For lifting.

Kit of Universal / Adjustable Clamps



For repairing.

## MINI ECO

Pneumo-hydraulic lift with:

- Pneumatic pump;
- Pneumatic arms;
- Adjustable support buffers;
- ATEX available (only for 2800 kg version).

LOAD CAPACITY	2200/2800 kg
LENGTH	1650 mm
WIDTH	700 mm
MINIMUM HEIGHT	110 mm
LIFTING HEIGHT	1250 mm



## PONYBENCH BE PLUS

Electro-hydraulic lift with:

- Control Box;
- Pneumatic arms;
- Support buffers.

LOAD CAPACITY	3500 kg
LENGTH	2210 mm
WIDTH	700 mm
LIFTING HEIGHT	1450 mm

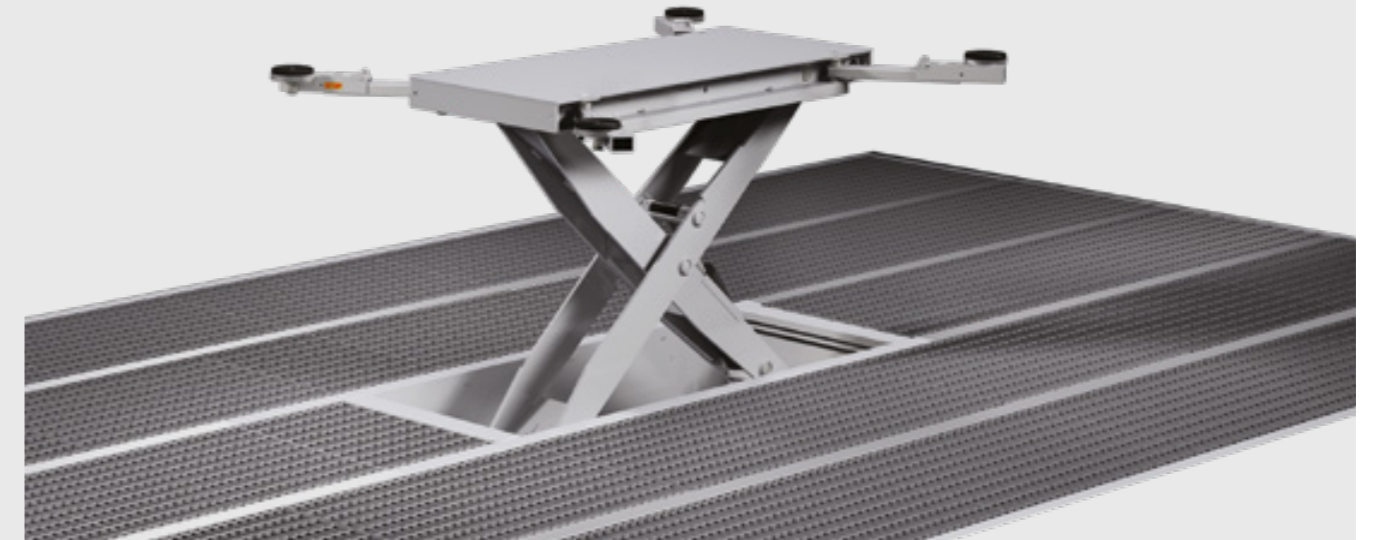


## PONYBENCH BE 15

Electro-hydraulic lift with:

- Control Box;
- Pneumatic arms;
- Adjustable support buffers.

LOAD CAPACITY	3000 kg
LENGTH	1670 mm
WIDTH	700 mm
LIFTING HEIGHT	970 mm



## PONYBENCH PR PLUS

Electro-hydraulic lift with:

- Control Box;
- Wheel-lifting platforms.

LOAD CAPACITY	3500 kg
LENGTH	3500 mm
WIDTH	1900 mm
LIFTING HEIGHT	1400 mm





**Spanesi S.p.A.**

Via Praarie 56/II - 35010  
Cavino di San Giorgio  
delle Pertiche (PD)  
Tel. +39 049 933 32 11  
e-mail: [info@spanesi.it](mailto:info@spanesi.it)