

Owner manual & safely Instructions

Save this manual keep this manual for the safety warnings and precautions, assembly, operations, inspection, maintenance and cleaning procedures. Write the product's serial number in the back of the manual near the assembly diagram (or month and year of purchase if product has no number). Keep this manual and the receipt in a safe and dry place for future reference.

5 Drawer Industrial Roller Cart



When unpacking, make sure that the product is in intact and undamaged. If any parts are missing or broken.

WARNING

Read this material before using this product. Failure to do so can result in serious injury.
SAVE THIS MANUAL.

Specifications

Component	Size	Weight Capacity
Top Compartment 1	25-1/2W x 19L x 4-3/4H	176 Lb
Top left drawer (x2) 2	12-1/2W x 17-3/4L x 2-1/2H	44 Lb each
Top right drawer 3	12-1/2W x 17-3/4L x 5H	88 Lb
Middle drawer 4	25-1/2W x 17-3/4L x 3H	88 Lb
Bottom drawer 5	25-1/2W x 17-3/4L x 5H	88 Lb
Bottom Shelf 6	29-1/2W x 18-1/2L x 3-1/2H	176 Lb
Total Combined Weight Capacity (Evenly distributed from bottom up.)		704 Lb

IMPORTANT SAFETY INFORMATIONS

Assembly Precautions

1. assemble only according to these instructions. Improper assembly can create hazards.
2. Wear ANSI-approved safety goggles and heavy-duty gloves during assembly.
3. keep assembly area clear and well lit.
4. keep bystanders out the area during assembly.
5. Do not assemble when tired or when under the influence of alcohol, drugs or medication.
6. Weight capacity and other product capabilities apply to properly and completely assembled product only.
7. Assemble on a flat, level, hard and smooth surface capable of safely supporting a fully loaded Cart.

Use Precautions

TO PREVENT SERIOUS INJURY AND DEATH FROM TIPPING :

1. **DO NOT SIT, STAND OR CLIMB ON THIS ITEM.**
2. This product is not a toy or a toy chest. Do not allow children to play with or near this item.
3. Do not exceed weight capacities, evenly distributed from bottom up. **Be aware of dynamic loading !** Sudden load movement may briefly create excess load causing product failure.
4. Do not open more than one Drawer at once. Lid must be open for Drawers to be unlocked.
5. Close and lock Drawers before moving.
6. use only on a flat, level, hard and smooth surface capable of safely supporting a fully loaded Cart. Do not roll Cart over concrete seams or other rough/uneven surfaces.
7. Do not lift using handle(s). Do not lift while loaded.
8. lock Swivel Casters after moving.
9. Do not mount on truck bed or any other moving object.
10. Use as intended only.
11. inspect before every use; do not use if parts are loose or damaged.
12. Maintain product labels and nameplates. These carry important safety information. If unreadable or missing.

ASSEMBLY INSTRUCTIONS



READ THE ENTIRE IMPORTANT SAFETY INFORMATION section at the beginning of this document including all text under subheading there in before set up or use this product.

Note : Finger tighten hardware until assembly is complete.

1. Assembly on a flat, level, hard and smooth surface capable of safely supporting a fully loaded Cart.
2. Attach two fixed casters (10) to one side of the bottom shelf (8), using eight sets of bolts (11), washers (12) and nuts (13).
3. Attach two locking swivel casters (9) to the other side, using eight sets of bolts (11), washers (12) and nuts (13).

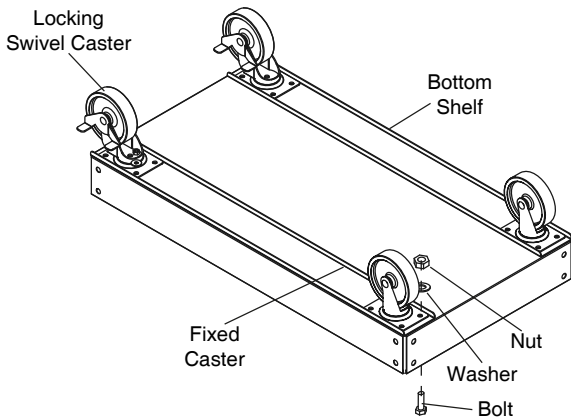


Figure A

4. Attach posts (18) to the outside corners of the bottom shelf, using sixteen sets of bolts (14) and nuts (15).

Note : make sure the bolt holes on the upper ends of posts measure 1-3/8 from the top and the lower holes measure 1 from the bottom ends.

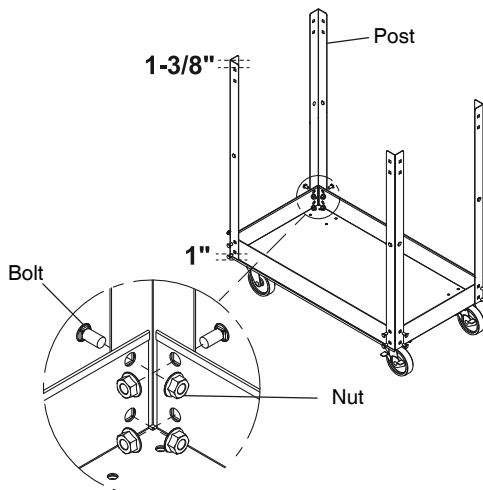


Figure B

5. Attach front/back cross support (6) to the inside of posts using four sets of bolts (14) and nuts (15).
6. On the same side as swivel casters, attach tray (16) to the outside, and a side cross support (7) to the inside of posts using two sets of bolts (14) and nuts (15).
7. On the other side, attach the remaining side cross support to the inside of posts using two sets of bolts (14) and nuts (15).

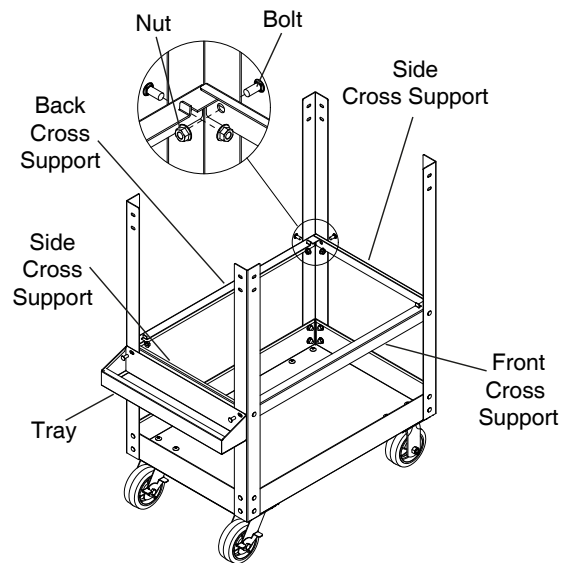


Figure C

WARNING ! The chest is heavy; do not attempt to lift and lower onto cross supports without assistance.

8. With assistance, lift up the chest, then lower it carefully between the posts until its bottom edges rest on the cross supports.

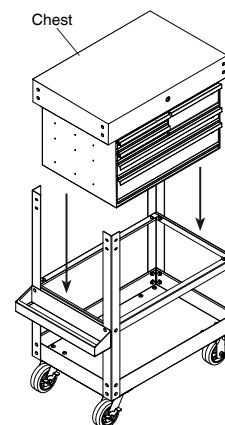
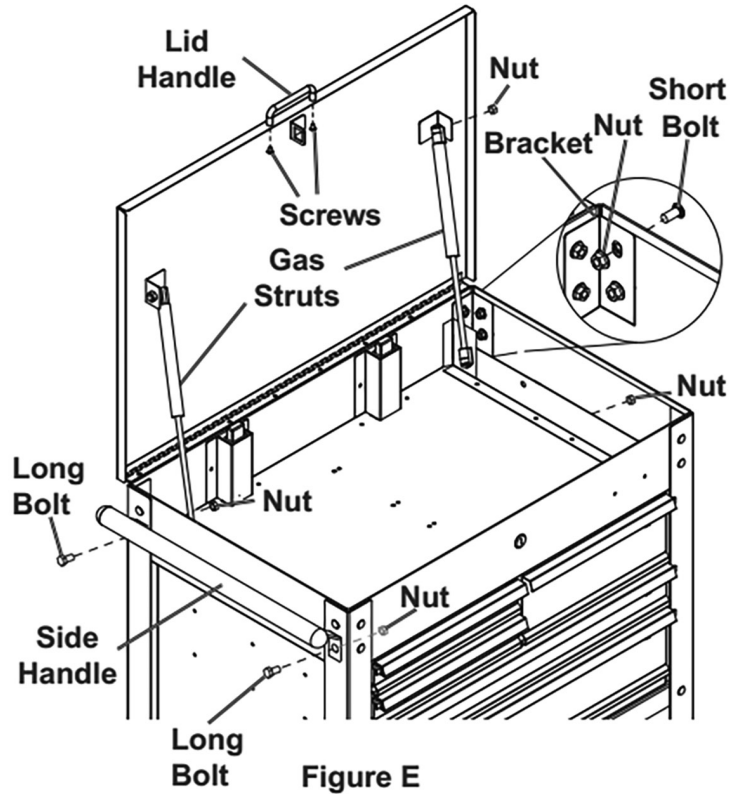


Figure A

9. Attach side handle (17) to lower holes on same side as locking swivel casters, using two sets of bolts (11) and nuts (15).
10. Attach lid handle (21) using two screws (22).
11. Place one bracket (19) in each corner of chest. Attach posts to chest using fourteen sets of bolts (14) and nuts (15).
12. Attach gas struct (20) using four nuts (13).
13. Tighten all hardware, starting at the bottom.



Operations Instructions



READ THE ENTIRE IMPORTANT SAFETY INFORMATION section at the beginning of this document including all text under subheadings there in before set up or use of this product.

1. Unlock drawers and fill Cart evenly, from bottom to top. Do not exceed weight capacities.
2. Close all drawers and lock them.
3. Unlock swivel casters.
4. Roll cart to a flat, level, hard and smooth surface capable of safely supporting a fully loaded cart. Do not roll cart over concrete seams or other rough/uneven surfaces.
5. Lock swivel casters.

Maintenance and Servicing



Procedures not specifically explained in this manual must be performed only by a qualified technician.

WARNING

TO PREVENT SERIOUS INJURY FROM TOOL FAILURE :

Do not use damaged equipment. If any part becomes damaged, have the problem corrected before further use.

1. PERIODICALLY, inspect the general condition of the Cart. Check for :

- loose hardware
- misalignment or binding of moving parts
- brake operation
- caster swivel function and movement
- cracked or broken parts
- any other conditions that may affect its safe operation

2. Wipe external surfaces of the cart with clean cloth.

3. Lubricate drawer slides as needed.

PLEASE READ THE FOLLOWING CAREFULLY

THE MANUFACTURER AND/OR DISTRIBUTOR HAS PROVIDED THE PARTS LIST AND ASSEMBLY DIAGRAM IN THIS DOCUMENT AS A REFERENCE TOOL ONLY. NEITHER THE MANUFACTURER OR DISTRIBUTOR MAKES ANY REPRESENTATION OR WARRANTY OF ANY KIND TO THE BUYER THAT HE OR SHE IS QUALIFIED TO MAKE ANY REPAIRS TO THE PRODUCT, OR THAT HE OR SHE IS QUALIFIED TO REPLACE ANY PARTS OF THE PRODUCT. IN FACT, THE MANUFACTURER AND/OR DISTRIBUTOR EXPRESSLY STATES THAT ALL REPAIRS AND PARTS REPLACEMENTS SHOULD BE UNDERTAKEN BY CERTIFIED AND LICENSED TECHNICIANS, AND NOT BY THE BUYER. THE BUYER ASSUMES ALL RISK AND LIABILITY ARISING OUT OF HIS OR HER REPAIRS TO THE ORIGINAL PRODUCT OR REPLACEMENT PARTS THERE TO, OR ARISING OUT OF HIS OR HER INSTALLATION OF REPLACEMENT PARTS THERE TO.

Parts List and Diagram

Parts List

Part	Description	Qty
1	Lid	1
2	Chest	1
3a	Top left Drawer	2
3b	Top right Drawer	1
3c	Middle Drawer	1
3d	Bottom Drawer	1
4	Drawer slide	10
5	Rail	10
6	Front/back Cross Support	2
7	Slide cross Support	2
8	Bottom Shelf	1
9	Locking Swivel caster	2
10	Fixed Caster	2

Part	Description	Qty
11	Caster bolt (M8x20)	18
12	Washer (08)	16
13	Nut (M8)	20
14	Bolt (M8x16)	38
15	Nut (M8)	40
16	Tray	1
17	Side Handle	1
18	Post	4
19	Bracket	4
20	Gas Strut	2
21	Lid Handle	1
22	Screw (M4x6)	2

Record Serial number here : _____

Note : If product has no serial number, record month and year of purchase instead

Note : Some parts are listed and shown for illustration purposes only, and are not available individually as replacement parts.

Assembly Diagram

