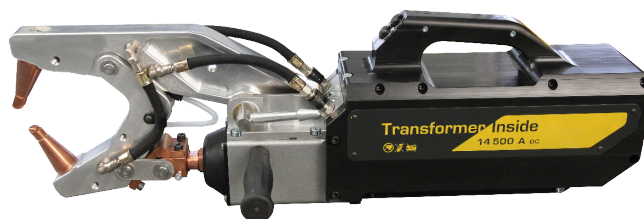


The C11 arm is designed to transform a C-clamp to a X-clamp. Capable of a clamping force to a maximum of 550 daN under 8 bar the C11 is the best solution to upgrade the access to a body repair from a C-clamp.

Advantages

- Clamping force : 550 daN under 8 bar.
- Maximum space between the inside of the arm and the electrode: 120 mm.
- Easy to assemble on a C-clamp.
- Liquid cooled up to the caps and electrodes.
- Arm weight : 2.8 kg



This arm is suitable for the following machines :

Gyspot Inverter BP.LC-S7

Gyspot Inverter BP.LCX-S7

Gyspot Evolution PTI-S7

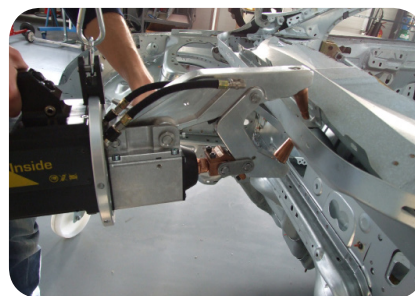


Consumables and accessories

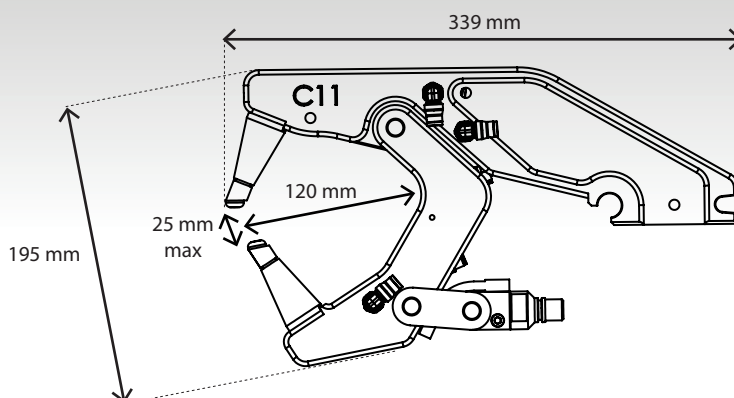
6 Bevelled caps 22° angle - ø13 mm (ref. 049994)



Caps remover (ref. 050486)



DIMENSIONS



CE - EN 60974-1